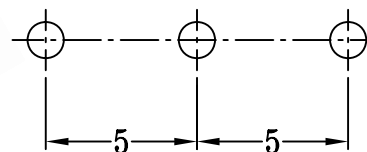
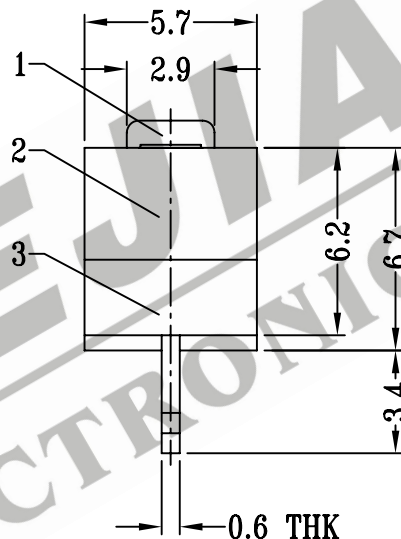
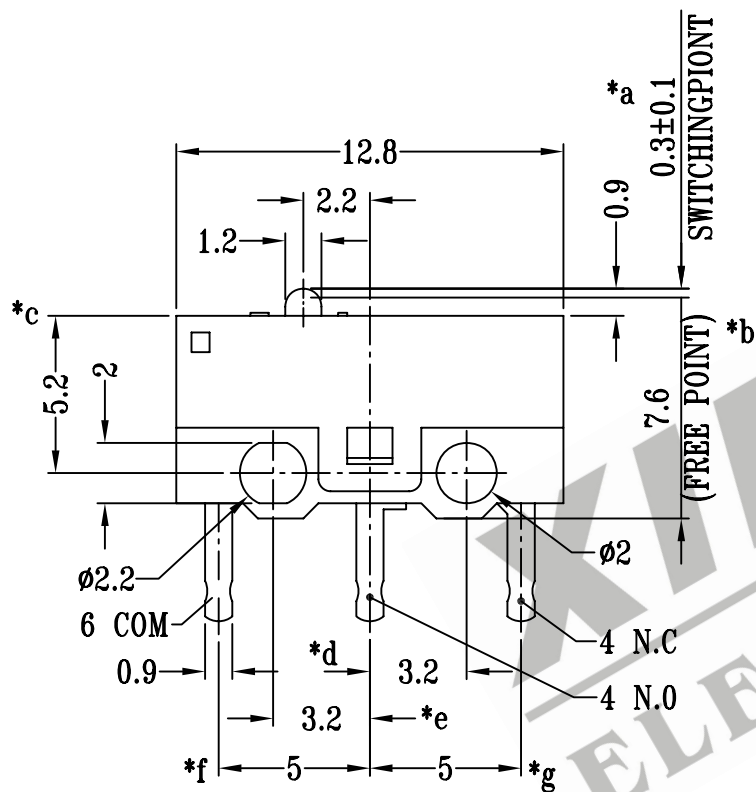
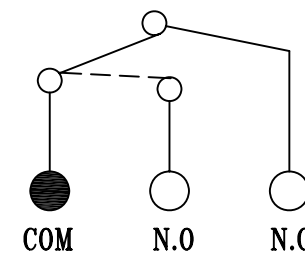


CAD FILE:



P.C.B LAYOUT



SCHEMATIC

注:带"\*"表示关键尺寸(7个)

9	CONTACT	PBS STRIP	1	NATURAL	TOLERANCE UNLESS SPECIFIED	SHENZHEN XIEJIA ELECTRONICS CO.,LTD.				
8	CONTACT B	SLIVER	1	NATURAL						
7	CONTACT A	SLIVER	1	NATURAL						
6	TERMINAL(COM)	BRASS STRIP	1	Ag PLATED OVER Ni PLATED	WITHIN: 1.5±0.1mm	ISSUE	DATE	DESCRIPTIONS	APPD.	
5	TERMINAL(N.O)	BRASS STRIP	1	Ag PLATED OVER Ni PLATED	OVER: 1.5±0.2mm					
4	TERMINAL(N.C)	BRASS STRIP	1	Ag PLATED OVER Ni PLATED	TITLE: VERTICAL SLIDE SWITCH		UNIT: MM	DRWG NO.: XJ-DR-MX1381-00		
3	INSERT CASE	NYLON+F.G	1	WHITE	MODEL: MX-1381		SCALE: 4:1	DWN.	ZHOUYU	2001-10-26
2	HOUSING	PC	1	BLACK	ALL MATERIALS MUST BE COMPLIANT TO ROHS			CHK'D	FANGYING	2001-10-26
1	KNOB	POM	1	BLACK				APPD.	KANGXINAN	2001-10-26
NO.	PARTS	MATERIALS	Q'TY	FINISH						